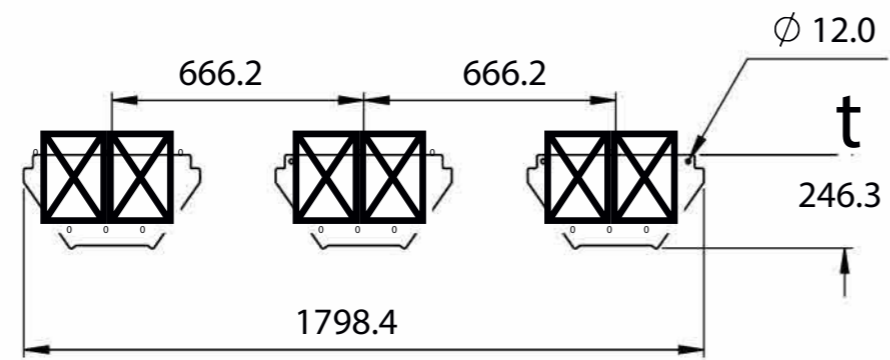
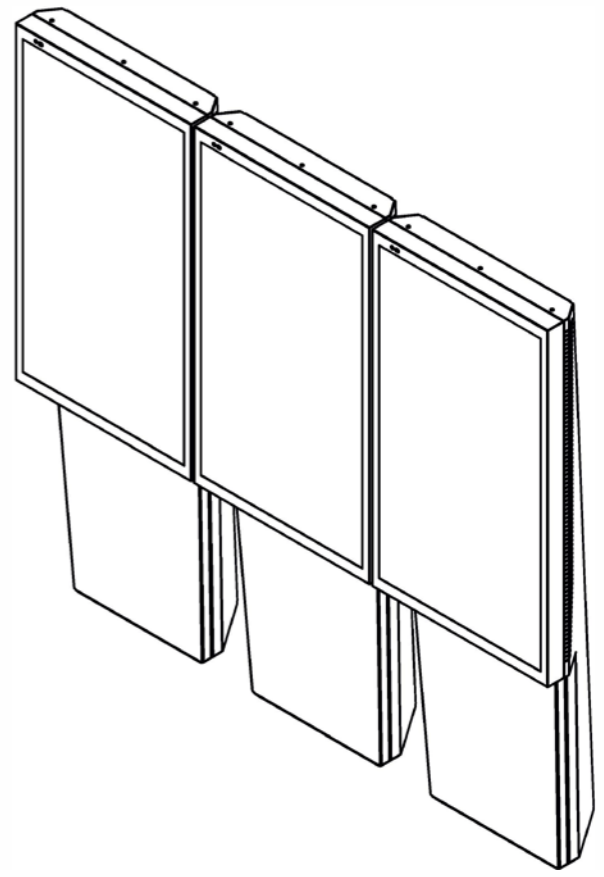
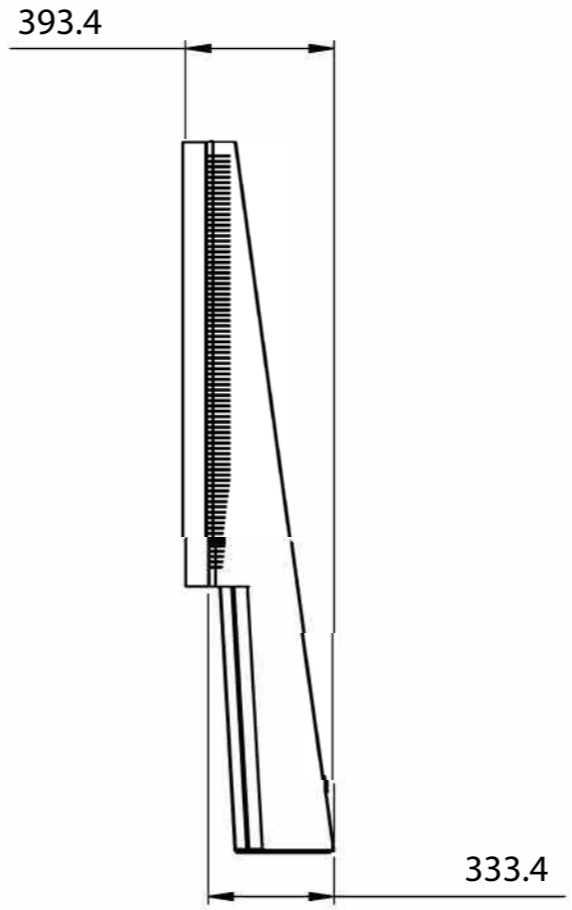
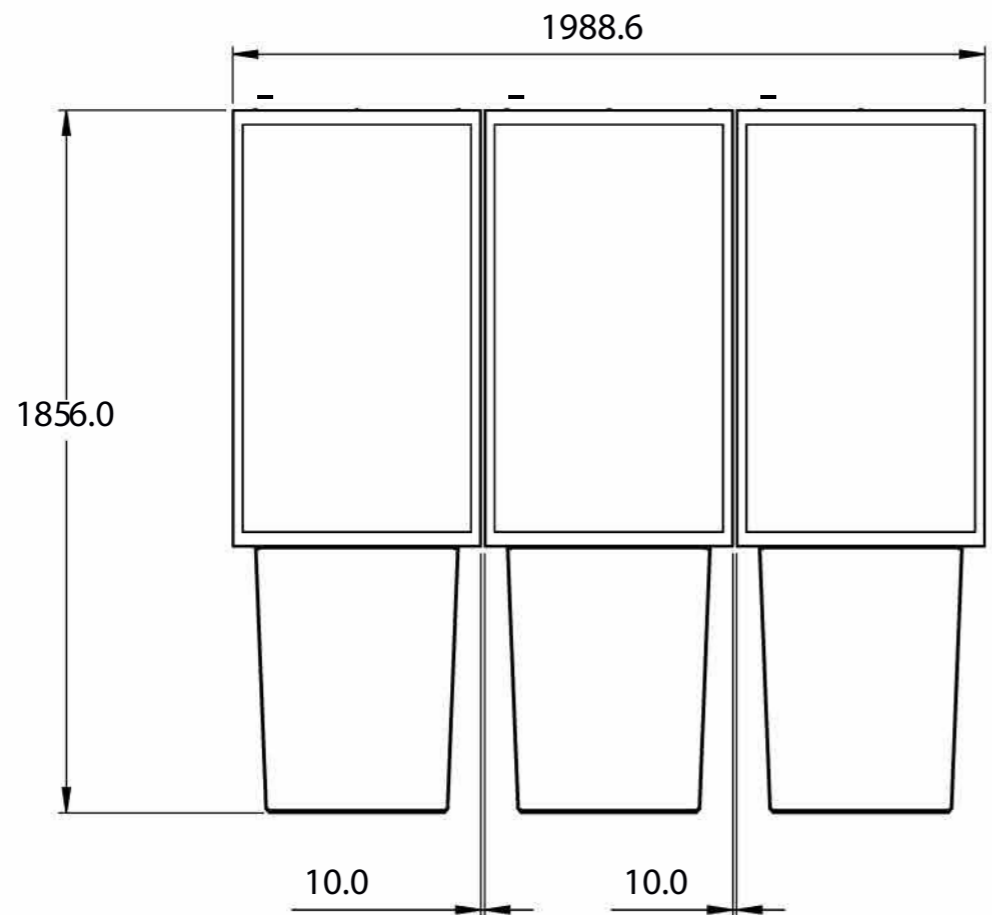




1 2 3 4 5 6 7 8

A
B
C
D
E
F
G
H

A
B
C
D
E
F
G
H



MATERIAL _____ THICKNESS _____ mm
FINISH _____ COLOUR _____



TOLERANCES
UNLESS OTHERWISE SPECIFIED

0	±1
0.0	±0.5
0.00	±0.25
0.000	±0.100

ANGLE ±0.5

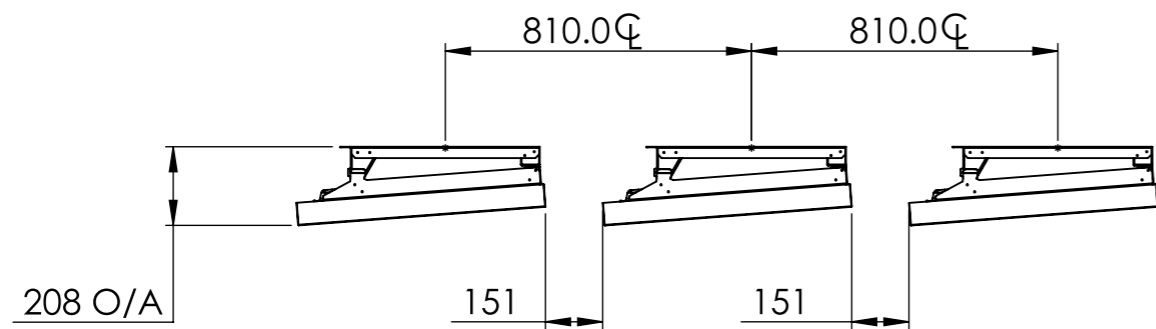
INITIAL	DATE
DRAWN	
CHECKED	

DRAWN TO AS1100 ALL DIMENSIONS IN MILLIMETERS

DO NOT SCALE

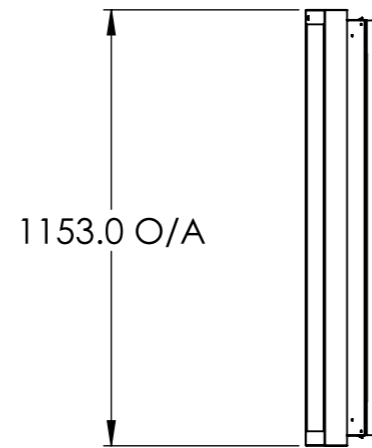
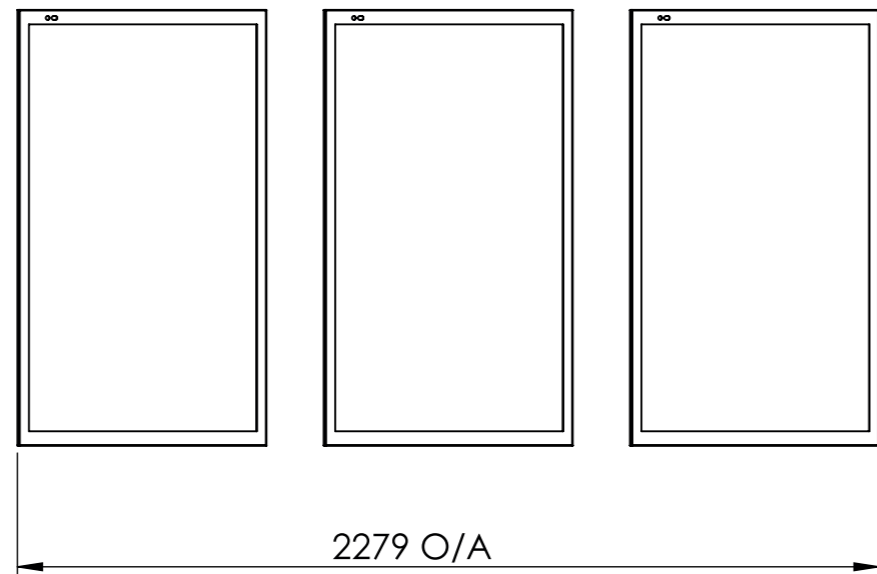
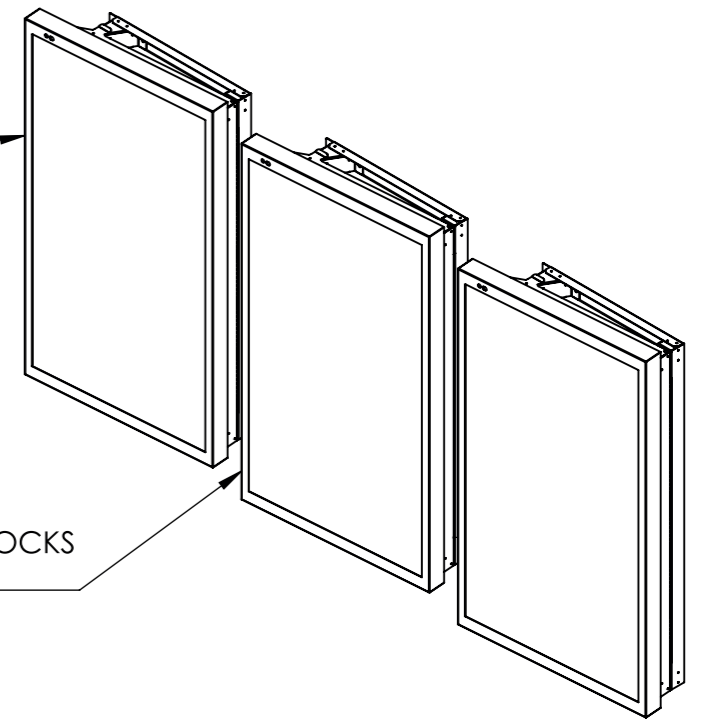
CUSTOMER: **FLEETMARK**
PROJECT: **49 IN SCREEN**
PART No: **FM-3ASM** REV: **0**
DESCRIPTION: **3 SCREEN ASSEMBLY**
DATE: 11/02/2020 SCALE: 1:20 SHEET: 1 OF 1

1 2 3 4 5 6 7 8



110° SCREEN OPENING ANGLE

UPPER AND LOWER QUARTER TURN LOCKS
SIDE MOUNT



MATERIAL	THICKNESS	
FINISH	COLOUR	mm



TOLERANCES
UNLESS OTHERWISE SPECIFIED

0 ±1
0.0 ±0.5
0.00 ±0.25
0.000 ±0.100

ANGLE ±0.5

INITIAL	DATE
DRAWN SP	18-02-20
CHECKED	1/01/1601

DRAWN TO AS1100 ALL DIMENSIONS IN MILLIMETERS

DO NOT SCALE

CUSTOMER:	FLEETMARK
PROJECT:	WALL MOUNT
PART No:	A-0407
DESCRIPTION:	OPENING ASSEMBLY
DATE:	19/02/2020
SCALE:	1:20
SHEET:	1 OF 1
REV.	-